

TTConnect 616 Configurable Switch

Description

TTConnect 616 Configurable Switch is designed for application development and support of Ethernet in vehicle network architectures.

The versatile switch includes 6 x 100BASE-T1 BroadR-Reach® physical layer interfaces that enable 100Mbit/s full-duplex communication over unshielded twisted single pair (UTSP) cabling in addition to one 100BASE-TX port.

TTConnect 616 was specifically developed for vehicles used in rugged operating environments and at extreme operating temperatures. It is protected by a proven, robust and compact housing, designed for automotive industry.



Specifications

| | | |
|--|---------------|-------------------|
| Unit Dimensions | 147 x 92 x 38 | mm |
| Dimensions for Minimum Connector Release Clearance | 208 x 92 x 38 | mm |
| Weight | 330 | g |
| Operating Temperature | -40 to +85 | °C |
| Supply Voltage | 8 to 16 | V |
| Peak Voltage | 16 | V _{max} |
| Standby Current | ≤400 | mA _{max} |
| Current | ≤5 | A _{max} |

Standards

| | |
|-----------------------|--|
| CE-Mark | 2014/30/EU |
| E-Mark | ECE-R10 Rev.5 |
| EMV | ISO 7637-2 EN 55025 ISO 11452-1, -2, -4, -5 |
| ESD | ISO 10605 |
| Load Dump | ISO 16750-2 Load dump +35V, 2 Ohm, 400ms |
| Ingression Protection | EN 60529 IP67 ISO 20653 IP 6K9K |
| Temperature | EN 60068-2-14 Na, Nb 60068-2-78, -30 Db, -2, -1 |
| Vibration, Shock | IEC 60068-2-64, -27 |

Features

- Infineon AURIX 32-bit super-scalar CPUs with 3 cores @ 300 MHz
- Up to 8 MB of Program Flash
- Up to 768 KB Data Flash usable for EEPROM emulation
- Up to 728 KB RAM
- 2 x SJA1105T - 5 port Ethernet Switch Chip

Interfaces

- 6 x 100BASE-T1 BroadR-Reach® 100 Mbit/full-duplex
- 1 x 100BASE-TX Ethernet for diagnostics and flashing

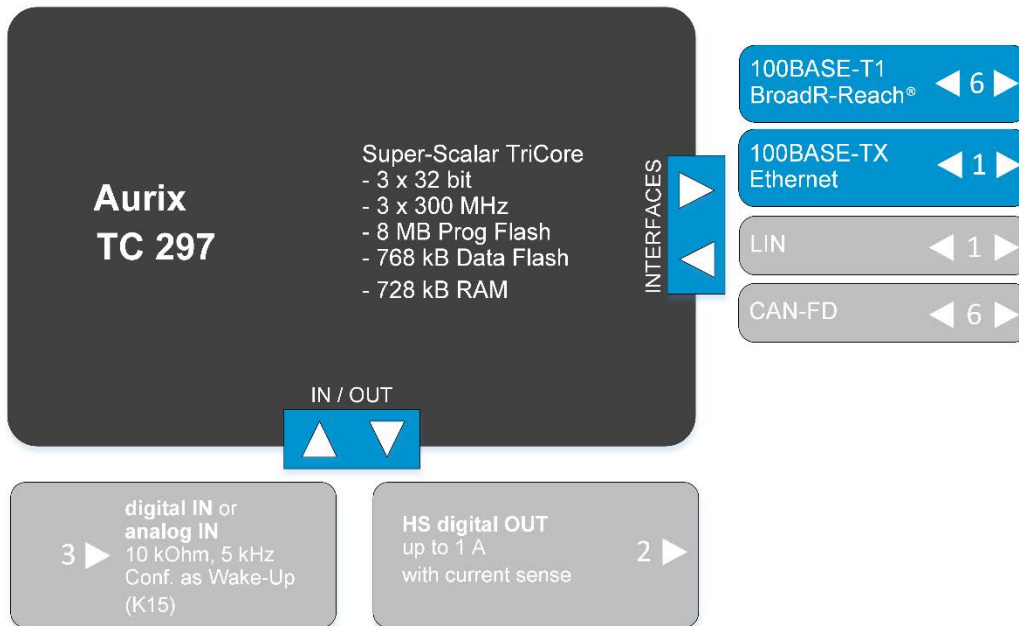
Configurability

- VLANs
- Master/Slave ports
- Simple configuration of switch using templates
- Additional parameter configuration can be supplied

All I/Os and interfaces are protected against short circuit to GND and BAT+ and can be configured by software.

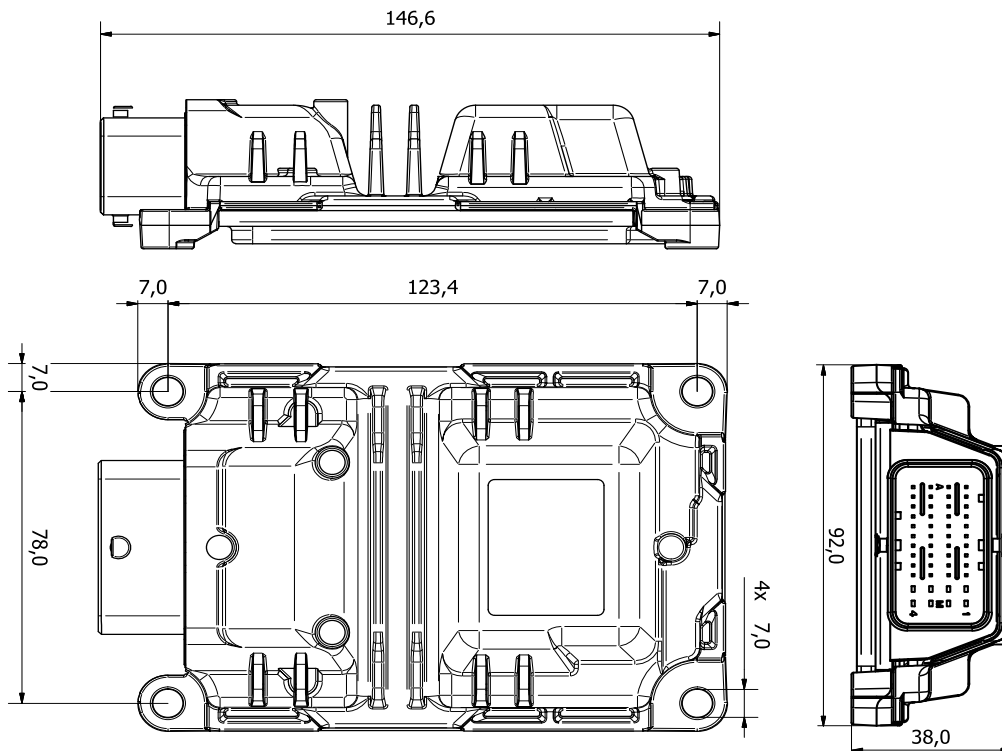
Details to the standards can be found in the user manual.

Block Diagram



Note: Grey blocks are not supported in configurable switch application.

Unit's housing with dimensions (not to scale)



For further information, including price and availability, please contact products@tttech-auto.com