



# PC-3

High-performance routing and manipulation of signals in real-time

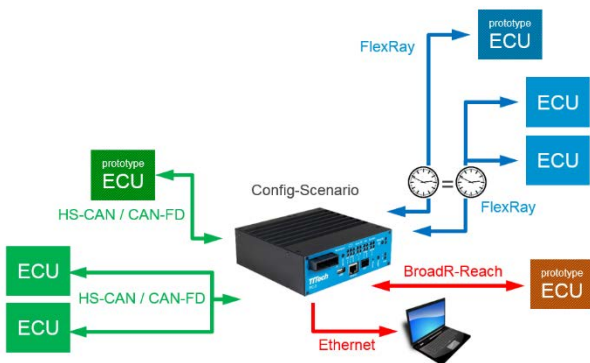


### Key Benefits

- ✔ 8-way gateway: 4 x HS-CAN/CAN-FD, 2 x FlexRay, 2 x Ethernet 100base-T1 (BroadR-Reach)
- ✔ Signal routing and manipulation
- ✔ Easy network configuration via FIBEX, CANdb and AUTOSAR TL (V3.0)
- ✔ Stand-alone use in vehicles
- ✔ Forwarding for logging or displaying
- ✔ Drag-and-drop tool for easy configuration

The PC-3 is a universal, intelligent gateway tool which enables data exchange between various bus systems such as CAN, CAN-FD, FlexRay™ and automotive Ethernet networks, and allows data manipulation in real time. It provides reliable support for all bus analyses and system integration in development, integration and test phases. Users can forward selected data to the data logger for analysis, or to other display devices. Thanks to its compact dimensions and its stability, the PC-3 is portable and can be easily integrated into any vehicle. The included tool allows you to create configurations quite simply with a graphical drag-and-drop interface.

### Real-Time Routing Between CAN, CAN-FD, FlexRay and Automotive Ethernet



### FlexRay Cold Start

The PC-3 can start up a secondary FlexRay bus if only the target device prototype is connected. This allows any prototype scenarios to be created easily, according to individual requirements.



### Areas of application

- Testing prototypes in the target environment
- Testing control devices with new software
- Link between vehicle network and Ethernet

## Simple Configuration in Six Steps

Routing and manipulation scenarios can be created with the PC tool by following an easily understandable and easy-to-learn procedure:

1. Create a scenario
2. Define the network (assign databases)
3. Define the routing
4. Define the manipulation
5. Define the forwarding to the logger (optional)
6. Generate and save/upload the scenario

<b>Hardware</b>	<p>5 CPU cores</p> <p>2 GB RAM</p> <p>64 MB Flash memory for the created scenario</p>
<b>C interfaces</b>	<p>1 x USB 2.0 (master or slave)</p> <p>2 x Ethernet (10/100/1000 MBit/s)</p> <p>Optional WLAN</p>
<b>Vehicle Interfaces</b>	<p>2 x FlexRay (each with channel A/B synchronous and asynchronous)</p> <p>4 x HS-CAN/CAN-FD</p> <p>2 x 100base-T1 (BroadR-Reach)</p> <p>2 x TTL-5V-compatible outputs, protected against short circuiting, max. current still to be determined</p> <p>2 x digital inputs with configurable threshold value</p>
<b>Operating Temperature</b>	-40°C ... +75°C
<b>Operating Voltage</b>	6 V ... 40 V
<b>Order Number</b>	12823



**TTTech Computertechnik AG – Automotive**

Europe, Austria (headquarters)  
Phone: +43 1 585 65 38-5000

Germany  
Phone: +49 841 88 56 47-0

TTTech Japan  
Phone: +81 52 485-5898

TTTech China  
Phone: +86 21 5015 2925-0

© TTTech Computertechnik AG – Automotive. All rights reserved. All trademarks are the property of their respective holders. To the extent possible under applicable law, TTTech hereby disclaims any and all liability for the content and use of this flyer.

[products@tttech-automotive.com](mailto:products@tttech-automotive.com)